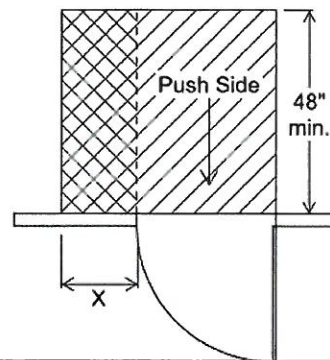
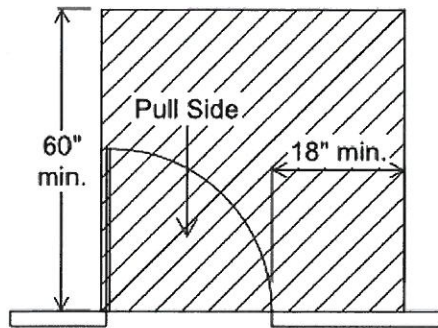


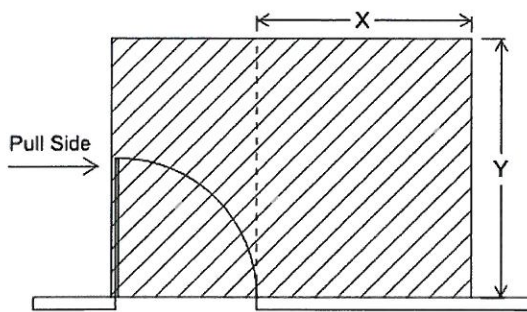
This Tip Sheet reflects code requirements of the 2015 International Building Code (IBC) and ICC A117.1-2009 with Washington State Amendments.

**Front Approaches**

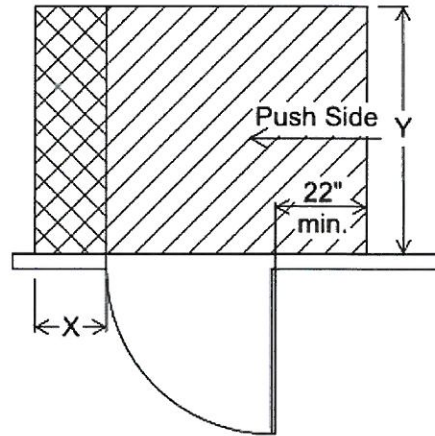


X = 12" min. if the door has both a closer and a latch.  
  
If there is no closer or latch X is not required.

**Hinge Side Approaches**

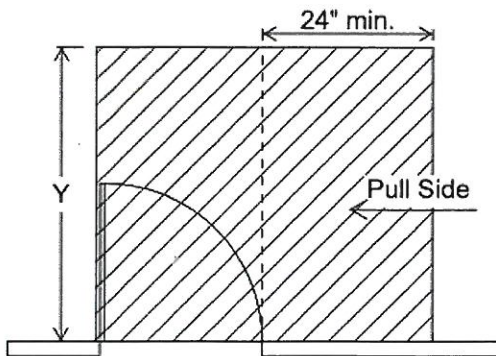


X = 36" min. if Y = 60" min.  
or  
X = 42" min. if Y = 54" min.

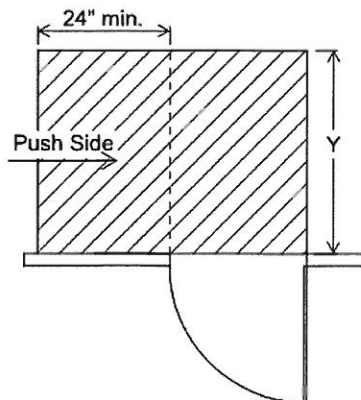


Y = 48" min. and X = 12" min. if door has a latch and a closer.  
  
Y = 42" min. and X is not required if there is no closer or latch on the door.

**Latch Side Approaches**



Y = 48" min. if door does not have a closer.  
  
Y = 52" min. if door does have a closer.



Y = 42" min. if door does not have a closer.  
  
Y = 48" min. if the door does have a closer.

**GENERAL INFORMATION:**

- The intent of this tip sheet is to provide a general understanding of the code requirements and does not address the subject in great detail.
- Additional information can be obtained from your local [participating jurisdiction](#).