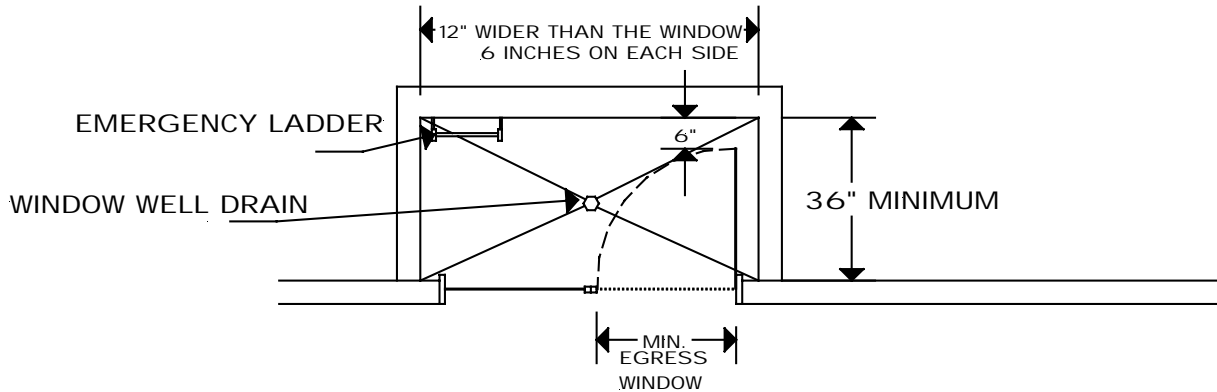


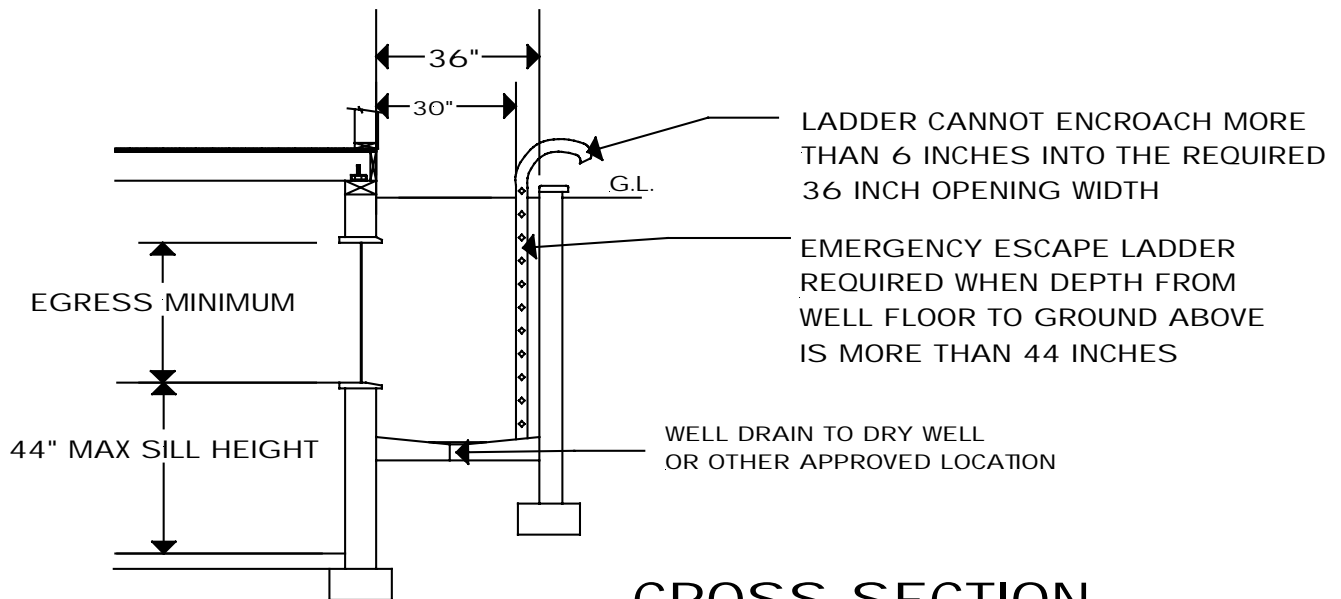


Washington Association of Building Officials

This construction detail is accepted as meeting the minimum standard of construction as based upon the 1997 UBC requirements.



PLAN VIEW



CROSS SECTION

WINDOWS WELLS USED FOR EMERGENCY EGRESS FROM BASEMENTS OR FLOORS LOWER THAN GRADE SHALL MEET THE FOLLOWING SIZE REQUIREMENTS FROM UBC SECTION 310.4

1. THE CLEAR HORIZONTAL DIMENSION SHALL ALLOW THE WINDOW TO BE FULLY OPENED AND PROVIDE A MINIMUM ACCESSIBLE NET CLEAR OPENING OF 9 SQUARE FEET, WITH A MINIMUM DIMENSION OF 36 INCHES.
2. WINDOW WELLS WITH A VERTICAL DEPTH OF MORE THAN 44 INCHES SHALL BE EQUIPPED WITH A PERMANENTLY AFFIXED LADDER OR STAIRS THAT ARE ACCESSIBLE WITH THE WINDOW IN A FULLY OPENED POSITION. THE LADDER OR STAIR SHALL NOT ENCROACH INTO THE REQUIRED DIMENSIONS OF THE WINDOW WELL BY MORE THAN 6 INCHES

DWG #2 - 1/2/01

WINDOW WELL

DWG BY LGN