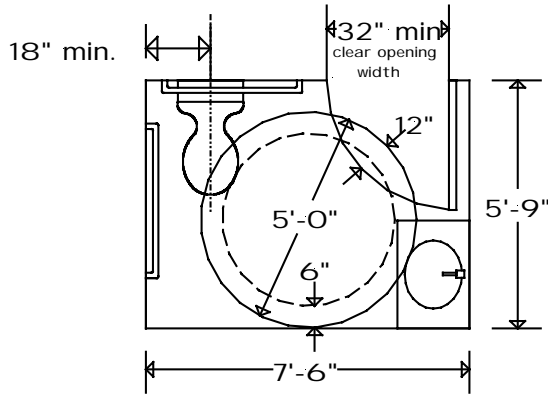




# Washington Association of Building Officials

This construction detail is accepted as meeting the minimum standard of construction as based upon the 1997 UBC requirements.

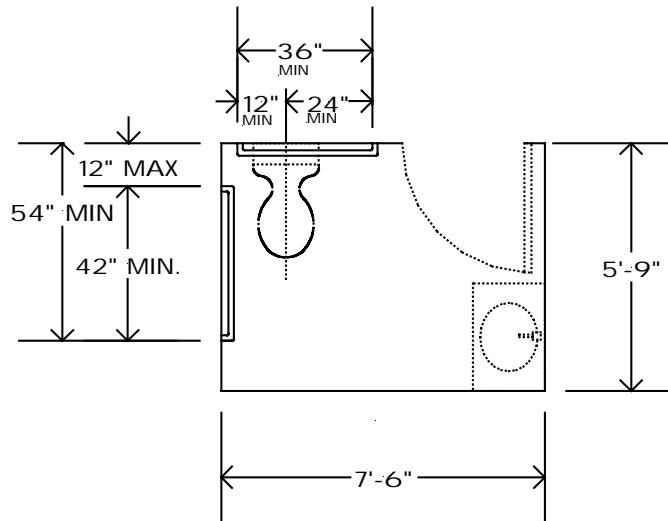


WATER CLOSETS MAY ENCROACH INTO THE 5' DIAMETER CLEAR FLOOR AREA NOT MORE THAN 6"

LAVATORY MAY PROJECT 19" WITH PROPER KNEE CLEARANCE WAC 1106.11.7.1

DOOR SWING MAY ENCROACH A MAXIMUM 12" (INCHES) INTO THE 5' (FOOT) DIAMETER CLEAR FLOOR SPACE

## GRAB BAR LOCATIONS FOR TOILET ROOMS



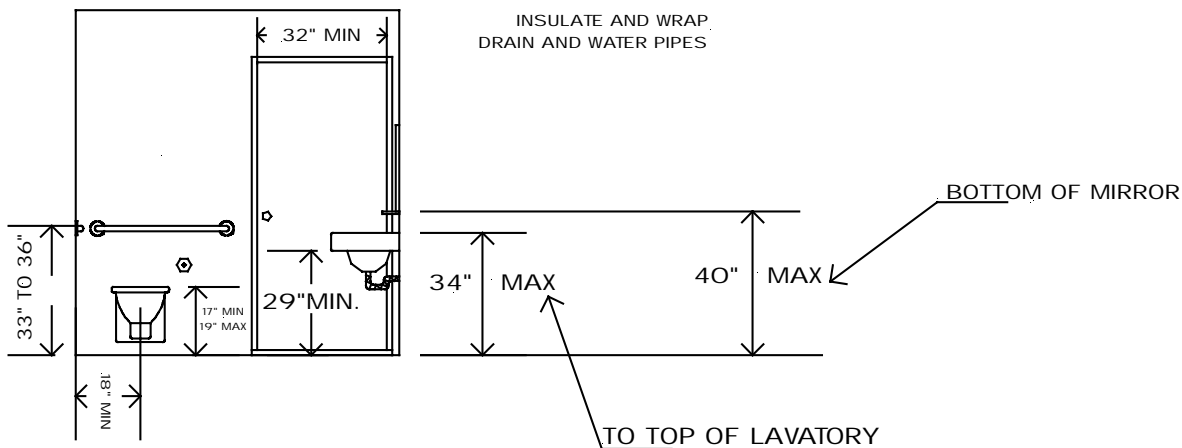
PLAN VIEW

## ELEVATION VIEW

MOUNT FLUSH LEVER ON SIDE AWAY FROM WALL A MINIMUM OF 36"-44" ABOVE FINISH FLOOR

SINK CONTROLS SHALL BE THE LEVER TYPE

NOTE! ROOM DIMENSIONS MAY VARY DEPENDING ON DESIGN



FIXTURE HEIGHT  
Per WAC 1106.11

#4 2/1/01

# ACCESSIBLE REST ROOMS #1

DWG BY LGN